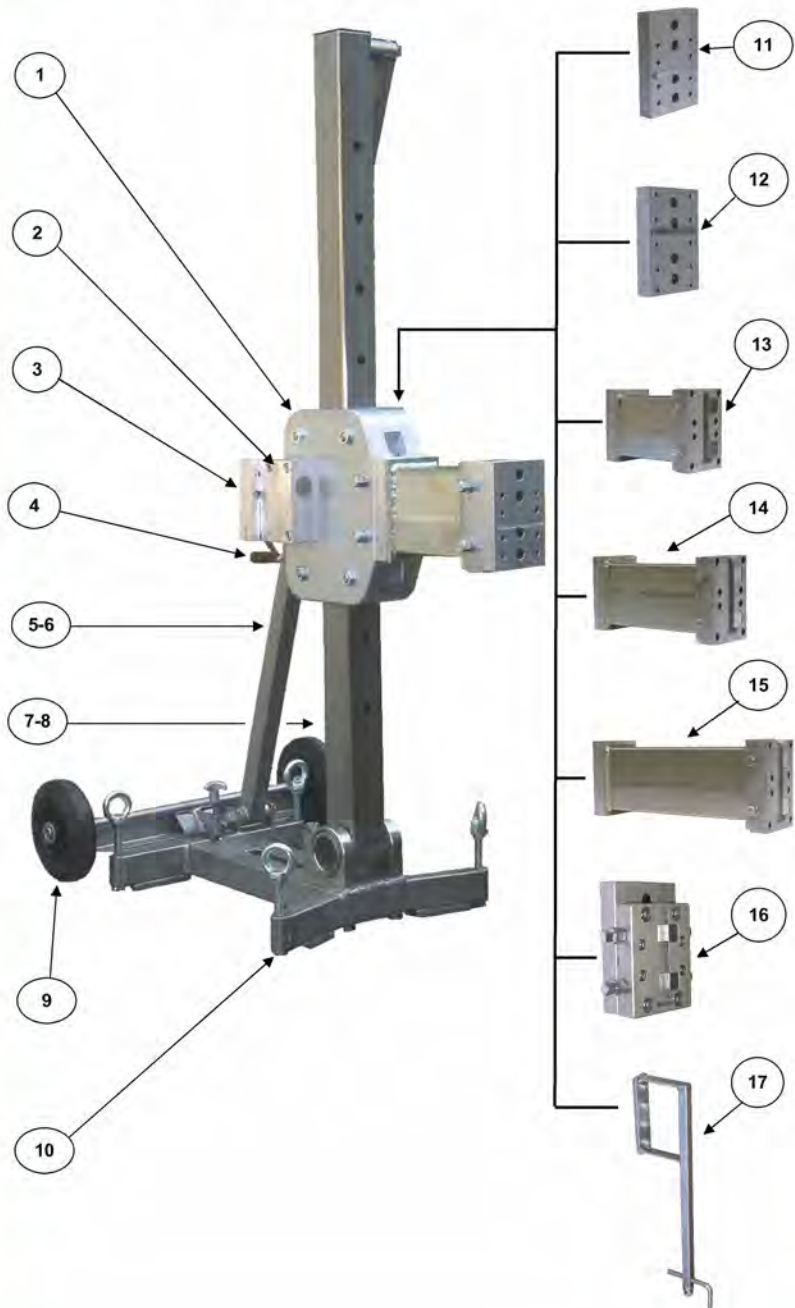


# Drill stand KF 1000



## components and parts list KF 1000

Item	Designation	Order no.	Piece	
1	Carraige cpl.	1000.1.0 K	1	
2	Worm gears cpl.	1000.2.0 K	1	
3	Front gear cpl.	1000.3.0 K	1	
4	Crank cpl.	1000.5.0 K	1	
5	Support 1450 mm cpl.	1000.8.0 K	1	
6	Support 2000 mm cpl.	1000.8.01 K	1	
7	Column 1450 cpl.	1000.6.0 K	1	
8	Column 2000 cpl.	1000.6.020 K	1	
9	Wheel kit cpl.	1000.12.0 K	1	
10	Foot plate stainless steel cpl.	1000.9.0 K	1	
11	Motor plate for Weka Engines cpl.	1000.4.0 K W	1	
12	Motor plate for Cardi Engines cpl.	1000.4.0 K C	1	
13	Quick change distance piece 200mm cpl. D1000	1000.10.01 BDG K	1	
14	Quick change distance piece 300mm cpl. D1200	1000.10.02 BDG K	1	
15	Quick change distance piece 400mm cpl. D1400	1000.10.03 BDG K	1	
16	Quick change adapter for Engines - 5,3 KW cpl.	1000.10.04 BG K	1	
17	Drilling middles indicator, m.d. 115-150 mm cpl.	250.10.2 K	1	

### Technical data KF 1000:

Max. bore diameter	1000 mm
Slide feed travel	1080 mm
Weight	65 kg
Dimensions (height) mm	1650
Max. motor output	8,0 KW
Gear ratio	1:51/1:21

More information is available at: [www.flei-ka.de](http://www.flei-ka.de)

Visit us also: [www.facebook.com/fleikasoyen](https://www.facebook.com/fleikasoyen)